



## ***Bandsaws***

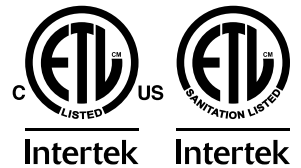
*Models BS-BR-3150-SS, 2820-SS*

*Items 20236, 20237*

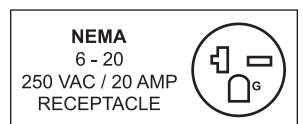
## ***Instruction Manual***



*Revised - 07/21/2021*



Toll Free: 1-800-465-0234  
Fax: 905-607-0234  
Email: [service@omcan.com](mailto:service@omcan.com)  
[www.omcan.com](http://www.omcan.com)



# ***Table of Contents***

Model BS-BR-3150-SS / Model BS-BR-2820-SS

---

<b>Section</b>	<b>Page</b>
General Information -----	3 - 4
Safety and Warranty -----	4 - 7
Technical Specifications -----	8
Installation -----	8 - 9
Operation -----	10
Maintenance -----	11 - 13
Troubleshooting -----	13 - 14
Figure Drawings -----	14 - 16
Parts Breakdown -----	17 - 22
Electrical Schematics -----	23
Notes -----	24 - 26
Warranty Registration -----	27



# General Information

---

Omcan Manufacturing and Distributing Company Inc., Food Machinery of America, Inc. dba Omcan and Omcan Inc. are not responsible for any harm or injury caused due to any person's improper or negligent use of this equipment. The product shall only be operated by someone over the age of 18, of sound mind, and not under the influence of any drugs or alcohol, who has been trained in the correct operation of this machine, and is wearing authorized, proper safety clothing. Any modification to the machine voids any warranty, and may cause harm to individuals using the machine or in the vicinity of the machine while in operation.

## CHECK PACKAGE UPON ARRIVAL

Upon receipt of an Omcan shipment please inspect for external damage. If no damage is evident on the external packaging, open carton to ensure all ordered items are within the box, and there is no concealed damage to the machine. If the package has suffered rough handling, bumps or damage (visible or concealed), please note it on the bill of lading before accepting the delivery and contact Omcan within 24 hours, so we may initiate a claim with the carrier. A detailed report on the extent of the damage caused to the machine must be filled out within three days, from the delivery date shown in the shipping documents. Omcan has no recourse for damaged products that were shipped collect or third party.

**Before operating any equipment, always read and familiarize yourself with all operation and safety instructions.**

**Omcan would like to thank you for purchasing this machine. It's of the utmost importance to save these instructions for future reference. Also save the original box and packaging for shipping the equipment if servicing or returning of the machine is required.**

---

**Omcan Fabrication et distribution Compañie Limité et Food Machinery d'Amerique, dba Omcan et Omcan Inc. ne sont pas responsables de tout dommage ou blessure causé du fait que toute personne ait utilisé cet équipement de façon irrégulière. Le produit ne doit être exploité que par quelqu'un de plus de 18 ans, saine d'esprit, et pas sous l'influence d'une drogue ou d'acohol, qui a été formé pour utiliser cette machine correctement, et est vêtu de vêtements de sécurité approprié. Toute modification de la machine annule toute garantie, et peut causer un préjudice à des personnes utilisant la machine ou des personnes à proximité de la machine pendant son fonctionnement.**

## VÉRIFIEZ LE COLIS DÈS RÉCEPTION

Dès réception d'une expédition d'Omcan veuillez inspecter pour dommages externes. Si aucun dommage n'est visible sur l'emballage externe, ouvrez le carton afin de s'assurer que tous les éléments commandés sont dans la boîte, et il n'y a aucun dommage dissimulé à la machine. Si le colis n'a subi aucune mauvaises manipulations, de bosses ou de dommages (visible ou cachée), notez-le sur le bond de livraison avant d'accepter la livraison et contactez Omcan dans les 24 heures qui suivent, pour que nous puissions engager une réclamation auprès du transporteur. Un rapport détaillé sur l'étendue des dommages causés à la machine doit être rempli dans un délai de trois jours, à compter de la date de livraison indiquée dans les documents d'expédition. Omcan n'a aucun droit de recours pour les produits endommagés qui ont été expédiées ou cueilli par un tiers transporteur.

# General Information

---

Avant d'utiliser n'importe quel équipement, toujours lire et vous familiariser avec toutes les opérations et les consignes de sécurité.

Omcan voudrais vous remercier d'avoir choisi cette machine. Il est primordial de conserver ces instructions pour une référence ultérieure. Également conservez la boîte originale et l'emballage pour l'expédition de l'équipement si l'entretien ou le retour de la machine est nécessaire.

-----  
Omcan Empresa De Fabricacion Y Distribucion Inc. Y Maquinaria De Alimentos De America, Inc. dba Omcan y Omcan Inc. no son responsables de ningun daño o perjuicio causado por cualquier persona inadecuada o el uso descuidado de este equipo. El producto solo podra ser operado por una persona mayor de 18 años, en su sano juicio y no bajo alguna influencia de droga o alcohol, y que este ha sido entrenado en el correcto funcionamiento de esta máquina, y ésta usando ropa apropiada y autorizada. Cualquier modificación a la máquina anula la garantía y puede causar daños a las personas usando la máquina mientras esta en el funcionamiento.

## REVISE EL PAQUETE A SU LLEGADA

Tras la recepcion de un envio Omcan favor inspeccionar daños externos. Si no hay daños evidentes en el empaque exterior, Habra el carton para asegurarse que todos los articulos solicitados estén dentro de la caja y no encuentre daños ocultos en la máquina. Si el paquete ha sufrido un manejo de poco cuidado, golpes o daños (visible o oculto) por favor anote en la factura antes de aceptar la entrega y contacte Omcan dentro de las 24 horas, de modo que podamos iniciar una reclamación con la compañía. Un informe detallado sobre los daños causados a la máquina debe ser llenado en el plazo de tres días, desde la fecha de entrega que se muestra en los documentos de envío. Omcan no tiene ningun recurso por productos dañados que se enviaron a recoger por terceros.

**Antes de utilizar cualquier equipo, siempre leer y familiarizarse con todas las instrucciones de operación y seguridad.**

Omcan quisiera darles las gracias por la compra de esta máquina. Es de la máxima importancia para guardar estas instrucciones para referencias en el futuro. También guarde la caja original y el embalaje para envío del equipo si el mantenimiento o la devolución de la máquina es necesaria.

# Safety and Warranty

---

## SAFETY

If and when the Band Saw is not correctly used it is a potentially DANGEROUS machine. Cleaning, maintenance and any other service in the machine shall be carried out by duly trained people and only while unplugged. The instructions below must be always followed to avoid ACCIDENTS:

- Remove the electric plug from its socket, before removing any moving part, cleaning, maintenance or any other kind of service.

# Safety and Warranty

---

- Never use any kind of tools not belonging to the Saw to help during operation.
- Never touch the blade #08 (Pic.01) when the saw is in operation.
- Never wear loose clothes with wide sleeves mainly around the wrists during operation.
- Never adjust the Thickness Guide #13 (Pic.01) with the saw blade in movement.
- Keep hands away from moving parts.
- Never switch on the Saw with wet clothes or wet feet.
- Ground machine properly during installation.
- The saw has a Thermal Protector for the motor protection. Motor and the operator are protected in case of over heating. Therefore if the equipment suddenly STOPS, wait a few minutes, then reset the Thermal Protector pressing the Button #01 (Pic.02).

**IMPORTANT:** In order to improve user safety the Band Saw is equipped with a safety system, which refrain itself from being activated if the upper door #04 (Pic.01), the lower door #15 (Pic.01) and the blade guard #17 (Pic.01) are not properly in place.

**IMPORTANT:** This equipment must not be used by children or any persons with reduced physical or mental capability, lack of experience or knowledge, unless they are under supervision or have received from the person responsible for safety, proper instructions on how to use the equipment.

**IMPORTANT:** The cord shall be in perfect conditions for the use, check it carefully, and change a damaged cord using a new one designed in accordance with the technical specifications. The changing shall be made by qualified professionals and shall respect local safety rules.

**IMPORTANT:** In case of emergency use emergency switch #03 (Pic.01). To switch the machine back ON push green button of ON/OFF Switch #02 (Pic.01).

## GENERAL SAFETY PRACTICES

**IMPORTANT:** If any recommendation is not applicable to your equipment, please ignore it.

The following safety instructions are addressed to both the operator of the machine as well as the person in charge of maintenance. The machine has to be delivered only in perfect conditions of use by the Distributor to the user. The user shall operate the machine only after being well acquainted with the safety procedures described in the present manual. **READ THIS MANUAL WITH ATTENTION.**

## BASIC OPERATION PRACTICES

### DANGERS

Some areas of the electric device have parts that are connected or have parts connected to high voltage. These parts when touched may cause severe electrical shocks or even be lethal. Never touch manual commands such as switches, buttons, turning keys and knobs with your hands wearing wet clothes and/or wet shoes. By not following these instructions operator could be exposed to severe electrical shocks or even to a lethal situation.

# ***Safety and Warranty***

---

## **WARNINGS**

- The operator has to be well familiar with the position of ON/OFF Switch to make sure the Switch is easy to be reached when necessary.
- Before any kind of maintenance, physically remove plug from the socket.
- Provide space for a comfortable operation thus avoiding accidents.
- Water or oil spilled on the floor will become a slip hazard. Make sure the floor is clean and dry.
- Before using any commands (switch, buttons, lever), be sure it is the correct one. In case of doubt, consult this manual.
- Never touch any manual commands (switch, buttons, lever) unadvisedly.
- If any work is to be made by two or more persons, coordination signs will have to be given for each operation step. Every step of the operation shall be taken only if a sign has been made and responded.

## **ADVICE**

- In case of power shortage, immediately switch the machine off.
- Use recommended or equivalent lubricants, oils or greases.
- Avoid mechanical shocks, once they may cause damages or bad functioning.
- Avoid water, dirt or dust contact to the mechanical and electrical components of the machine.
- DO NOT change the standard characteristics of the machine.
- DO NOT remove, tear off or damage any safety or identification labels stuck on the machine. If any labels have been removed or are no longer legible, contact your nearest dealer for replacement.

## **SAFETY PROCEDURES AND NOTES BEFORE SWITCHING THE MACHINE ON**

**IMPORTANT:** Carefully read ALL INSTRUCTIONS of this manual before turning the machine ON. Be sure to fully understand all the information contained in this manual. If you have any question contact your supervisor or your nearest Dealer.

## **DANGER**

An electric cable or electric wire with damaged jacket or bad insulation might cause electrical shocks as well as electrical leak. Before use, check the conditions of all wires and cables.

## **ADVICE**

Be sure to fully understand all the information contained in this manual. Every operation function or procedure has to be thoroughly clear. Before using any commands (switch, buttons, lever), be sure it is the correct one. In case of doubt, consult this manual.

## **PRECAUTIONS**

The electric cable has to be compatible with the power required by the machine. Cables touching the floor or close to the machine need to be protected against short circuits. The oil reservoirs have to be filled until the indicated level. Check and refill if necessary.

## **ROUTINE INSPECTION**

### **ADVICE**

When checking the tension of the belts or chains, DO NOT insert your fingers between the belts and the

# *Safety and Warranty*

---

pulleys and nor between the chain and the gears.

## **PRECAUTIONS**

Check the motor and sliding or turning parts of the machine in case of abnormal noises. Check the tension of the belts and chains and replace the set when belts or chains show signs of wearing. When checking the tension of belts or chains DO NOT insert your fingers between belts and pulleys, nor between the chains and gears. Check protections and safety devices to make sure they are working properly.

## **WARNING**

Electrical or mechanical maintenance has to be undertaken by qualified personnel. The person in charge of maintenance has to be sure that the machine is under TOTAL SAFETY conditions when working.

## **1 YEAR PARTS AND LABOUR WARRANTY**

Within the warranty period, contact Omcan Inc. at 1-800-465-0234 to schedule an Omcan authorized service technician to repair the equipment locally.

Unauthorized maintenance will void the warranty. Warranty covers electrical and part failures, not improper use.

Please see <https://omcan.com/disclaimer> for complete info.

## **WARNING:**

The packaging components are classified as normal solid urban waste and can therefore be disposed of without difficulty.

In any case, for suitable recycling, we suggest disposing of the products separately (differentiated waste) according to the current norms.

**DO NOT DISCARD ANY PACKAGING MATERIALS IN THE ENVIRONMENT!**

# Technical Specifications

Model	BS-BR-3150-SS	BS-BR-2820-SS
Electrical	230V / 60Hz / 1	
Current	14.7A	9.5A
Power	3 HP	2 HP
Consumption per Hour	2.2 kW	1.47 kW
Max Cutting Height	14.1" / 359mm	12.75" / 324mm
Max Cutting Width	12.25" / 311mm	10" / 254mm
Dimensions	72.9" x 42.1" x 36.3" 1851 x 1070 x 921mm	73.6" x 36.3" x 38.6" 1870 x 921 x 981mm
Packaging Dimensions	81.9" x 47.6" x 49.2" 2080 x 1210 x 1250mm	81.9" x 43.7" x 44.9" 2080 x 1110 x 1140mm
Weight	264 lbs. / 119.7 kgs.	240 lbs. / 108.9 kgs.
Packaging Weight	407 lbs. / 184.6 kgs.	339 lbs. / 153.8 kgs.
Item Number	20236	20237

## Installation

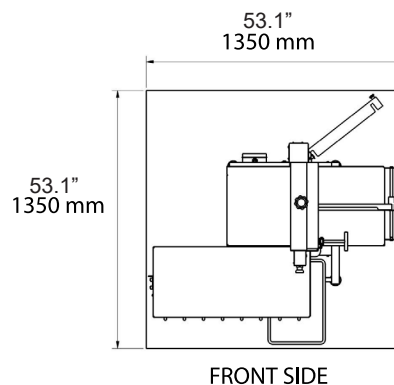
### RECEIVING AND UNPACKING

As soon as the equipment is received check the packaging integrity. If packaging is damaged, check if there has been some damage to the equipment during transportation. If damage has been found, keep the packaging and contact immediately the transporter.

### INSTALLATION

#### PLACING THE SAW

The Saw must be installed over a firm working surface. See below drawing the recommended area.





# Installation

---

## **ELECTRIC INSTALLATION**

The equipment has been designed to operate 230 Volts. When you receive the equipment check the voltage indicated on the cord label. The power plug has 3 pins the middle pin is the ground. All the 3 pins must be properly connected.

**IMPORTANT:** Make sure the network voltage is the same as indicated on the cord label.

## **BLADE**

The Blade shall be installed with the teeth turned toward the saw front side, and downward. To stretch the blade #08 (Pic.01) turn clockwise the Blade Tension Regulator Handle #01 (Pic.01) until it stops. The quantity of teeth in a band saw will influence both, the cutting speed and the quantity of remains produced during the cutting procedure.

## **BLADE GUIDE**

With the saw switched OFF turn the Handle #06 (Pic.01) counter clockwise to loose the Blade Guide #07 (Pic.01). Adjust the Blade Guide height to meet the meat piece thickness, and not more. Then tighten the handle #06 (Pic.01).

## **TRAY**

The Saw has a Tray #16 (Pic.01) placed under the saw, to collect residues. To remove the tray pull it sideways until it is completely out. To replace it follow the inverse procedure and push until it is completely in.

## **SCRAPERS**

The saw has two scrapers, the wheel scraper #18 (Pic.01) and the blade scraper #19 (Pic.01).

**The Wheel Scraper:** This scraper cleans the bone dust or the residues from the Lower Wheel during operation. The scraper may be removed for cleaning (see Cleaning).

**The Blade Scraper:** This scraper cleans the bone dust or the residues from the blade during the operation. The scraper may be removed for cleaning (see Cleaning).

## **LOWER WHEEL**

The Lower Wheel is assembled on the lower bearing shaft and fixed by the staple #10 (Pic.01). The staple shall always be placed in the shaft slit. The lower wheel may be removed for cleaning after removing the blade (see Cleaning).

## **UPPER WHEEL**

The Upper Wheel #05 (Pic.01) frame has its own shaft and bearings. Therefore the Upper Wheel has to be removed with the shaft and bearing for cleaning (see Cleaning), only after the Blade has been taken off.

# Operation

---

## PRE-OPERATION

Check if the saw is standing firm in its position.

Adjust the Blade Guide #07 (Pic.01) height to meet the meat piece thickness.

## DOORS AND BLADE GUARD

The upper door #04 (Pic.01), the Lower Door #15 (Pic.01) and the Blade Guard #17 (Pic.01) shall be closed and in their right position while the saw is operating.

## THICKNESS GUIDE

To obtain several slices with the same thickness, adjust the Thickness Guide #13 (Pic.01) as desired. Turn the Thickness Guide Handle counter clockwise loosening the Thickness Guide, and drive it to the desired thickness. Then tighten back the handle.

## CONTROL BOARD

The ON/OFF Switch #02 (Pic.01) and the Emergency Button Switch #03 (Pic.01) are placed on a control board, on the motor housing upper front side. To turn ON the saw press the ON/OFF Switch (green) button to position "I". To stop the saw operation press the ON/OFF Switch (red) button to position "O". If an emergency case arises, press the EMERGENCY button, immediately stopping the saw operation.

## OPERATING PROCESS

### BEFORE TO START THE SAW

- Pull totally the Movable Table #09 (Pic.01) toward the saw front side.
- Place the meat on the Movable Table.
- Choose the slice thickness and adjust the Thickness Guide #13 (Pic.01).
- Adjust the Blade Guide #07 (Pic.01) height to meet the meat piece thickness.
- Take place in front of the saw, to have a frontal view of the blade.

### STARTING THE SAW

- To start the saw press the ON/OFF Switch green button.
- Push the meat toward the Thickness Guide, touching it.
- Place the left hand on the table protection guard and slide the Movable Table against the Blade, slicing the meat at a constant and uniform speed.
- After cutting the slice remove it using the right hand. The slice must always be removed behind the blade to avoid the hand to touch the blade cutting side.

**IMPORTANT:** Do never remove the slices by the blade front side.

- Place and store the slices on the Fixed Table #14 (Pic.01).
- Bring back the Movable Table toward the front side of the machine and repeat the above mentioned steps until the whole meat has been sliced.
- After to have finished the last slice switch OFF the saw pressing the red button "O".

## CLEANING AND SANITIZATION

**IMPORTANT:** Unplug the saw before to start Cleaning.

When the saw must go through a complete cleaning and sanitization process:

- Before it's first use.
- After every day end of operations.
- When the saw is not going to be used for a long period of time.
- Before starting operation after a long period it has not been used.

Many parts may be removed for cleaning:

- Upper Door.
- Lower Door.
- Blade Guard.
- Movable Table.
- Fixed Table Block.
- Fixed Table.
- Blade.
- Upper Wheel.
- Lower Wheel.
- Blade Scraper.
- Wheel Scraper.
- Blade Tension Regulator.

Follow the below instructions to remove the above mentioned parts:

**UPPER DOOR:** Open the door #04 (Pic.01), and lift it.

**LOWER DOOR:** Open the door #15 (Pic.01), and lift it.

**BLADE GUARD:** Turn counter clockwise the two handles, just enough to loose the Blade Guard #01 (Pic.03), then remove the Blade Guard pulling it towards the saw front side.

**MOVABLE TABLE:** Pull the Movable Table #09 (Pic.01) towards the saw front side. Displace the end plate, (see Picture 04), and slide the Movable Table completely out of the rollers.

**FIXED TABLE BLOCK:** Remove the Fixed Table Block lifting the block above the Fixed Table (see Picture 05).

**FIXED TABLE:** Lift vertically the Fixed Table front side, (Picture 06 see the arrow) until the lower trigger is loose. Then pull the Fixed Table towards the front, (Picture 07 see the arrow) until the table is completely removed.

**BLADE:** Turn the Blade Tension Regulator Handle #01 (Pic.01) counter clockwise, until the blade gets loose, for removing.

# Maintenance

---

**IMPORTANT:** Use steel gloves to hold the blade.

**UPPER WHEEL:** Remove the blade, after, hold strongly the Upper Wheel #05 (Pic.01), push it vertically up and then pull it towards the saw front side.

**LOWER WHEEL:** Remove the Staple #01 (Pic.08) hold strongly the Lower Wheel and pull it towards the saw front side (Pic.09).

**BLADE SCRAPER:** Slide the Blade Scraper sideway until it gets out.

**WHEEL SCRAPER:** Remove the Lower Wheel, then pull the Scraper towards the saw front side until it gets out.

**BLADE TENSION REGULATOR:** Stand behind the saw and remove the Upper Back Cover #01 (Pic.10). Turn the Blade Tension Regulator Handle #02 (Pic.11) counter clockwise until the Blade Tension Regulator #01 (Pic.11) gets free to be removed. Also remove the Blade Tension Regulator Handle #02 (Pic.11).

- Wash all the parts with water and neutral ph detergent.

**IMPORTANT:** Do not spray water directly on the Lower Bearing, the Control Board and the Motor Housing #20 (Pic.01), principally at the ventilation points.

Use clean clothes or soft brushes to remove residues. Washing and sanitization shall be regularly performed and then all parts shall be carefully dried. To assemble the several parts removed proceed inversely as above instructed, make sure all parts to be properly assembled.

## CAUTIONS WITH STAINLESS STEEL

The Stainless Steel may present rust signs, which ARE ALWAYS CAUSED BY EXTERNAL AGENTS, especially when the cleaning or sanitization is not constant and appropriate. The Stainless Steel resistance towards corrosion is mainly due to the presence of chrome, which in contact with oxygen allows the formation of a very thin protective coat. This protective coat is formed through the whole surface of the steel, blocking the action of external corrosive agents. When the protective coat is broken, the corrosion process begins, being possible to avoid it by means of constant and adequate cleaning. Cleaning must always be done immediately after using the equipment. For such results, use water, neutral soap or detergent, and clean the equipment with a soft cloth or a nylon sponge. Then rinse it with plain running water, and dry immediately with a soft cloth, this way avoiding humidity on surfaces and especially on gaps. The rinsing and drying processes are extremely important to prevent stains and corrosion from arising.

**IMPORTANT:** Acid solutions, salty solutions, disinfectants and some sterilizing solutions (hypochlorites, tetravalent ammonia salts, iodine compounds, nitric acid and others), must be AVOIDED, once it cannot remain for long in contact with the stainless steel.

These substances attack the stainless steel due to the CHLORINE on its composition, causing corrosion spots. Even detergents used in domestic cleaning must not remain in contact with the stainless steel longer than the

# Maintenance

necessary, being mandatory to remove it with plain water and then dry the surface completely.

**USE OF ABRASIVES:** Sponges or steel wool and carbon steel brushes, besides scratching the surface and compromising the stainless steel protection, leave particles that rust and react contaminating the stainless steel. That is why such products must not be used for cleaning and sanitization. Scrapings made with sharp instruments or similar must also be avoided.

**MAIN SUBSTANCES THAT CAUSE STAINLESS STEEL CORROSION:** Dust, grease, acid solutions such as vinegar, fruit juices, blood, detergents (except for the neutral ones), common steel particles, residue of sponges or common steel wool, and also other abrasives.

# Troubleshooting

## PROBLEMS, CAUSES AND SOLUTIONS

The Saws have been designed to need minimum maintenance, however, some performance failures may happen due mainly to natural worn out, caused by the use of the Saw. If some problems arise with your Band Saw check the table below where there are detailed some possible solutions.

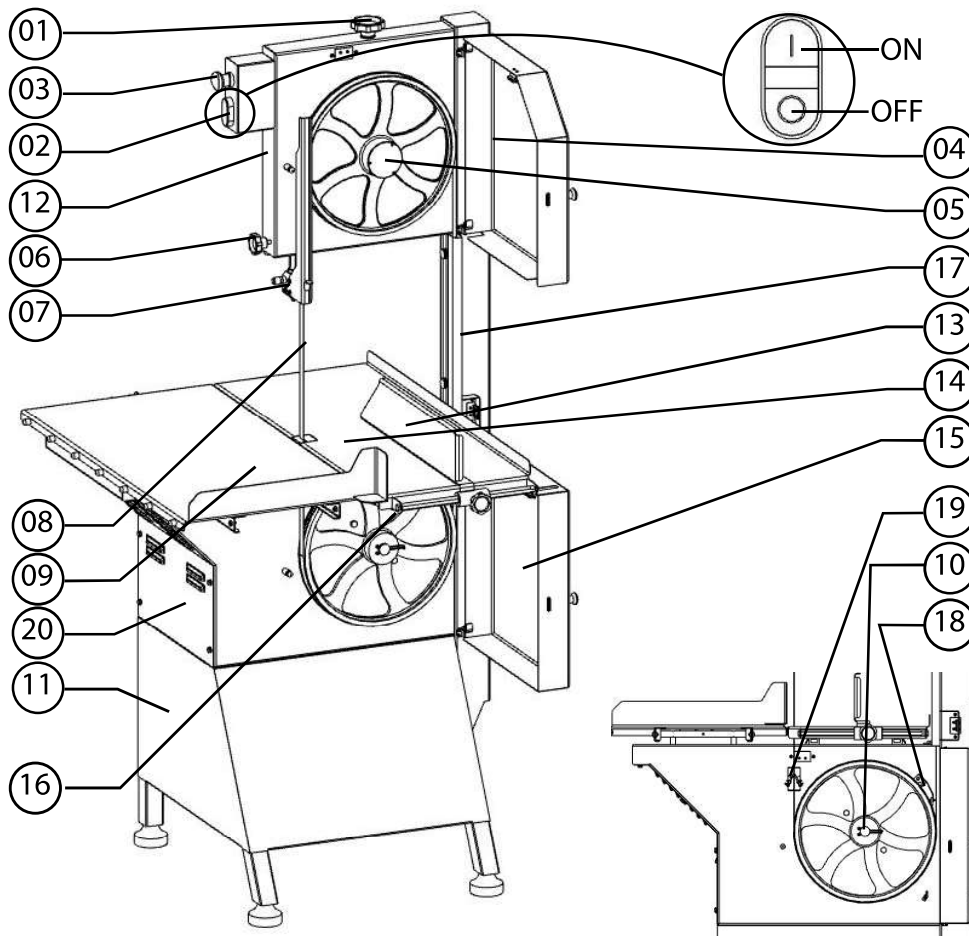
PROBLEM	CAUSES	SOLUTIONS
The saw does not switch on.	The saw is unplugged.	Plug it.
	Thermal Protector is activated.	Wait a few minutes and reset the Thermal Protector.
	Lack of power.	Check if there is electric power.
	Problem with the internal or external circuits of the Saw.	Call Technical Assistance.
Smoke or burn smell.	Problem with the internal or external electric circuits of the Saw.	Call Technical Assistance.
Machine switch on but when product touches blade #08 (Pic.01) it stops or runs slowly.	Belt slipping on pulleys.	Call Technical Assistance.
	Damaged capacitor.	Call Technical Assistance.
Unusual noises.	Blade slipping on wheels.	Turn the blade tension regulator handle #01 (Pic.01) to increase pressure between blade and wheels.
	The blade incorrectly welded.	Change the blade.
The blade frequently tears.	Blade or wheels dirty.	Clean the saw.
	Faulty wheels.	Change the wheels.

# Troubleshooting

Difficulty to cut the product.	Blade or wheels dirty.	Clean the saw.
	Wrong tension on the blade.	Regulate blade tension.
	Blade is off the wheels center.	Call Technical Assistance.
	Blade blunt.	Change the blade.

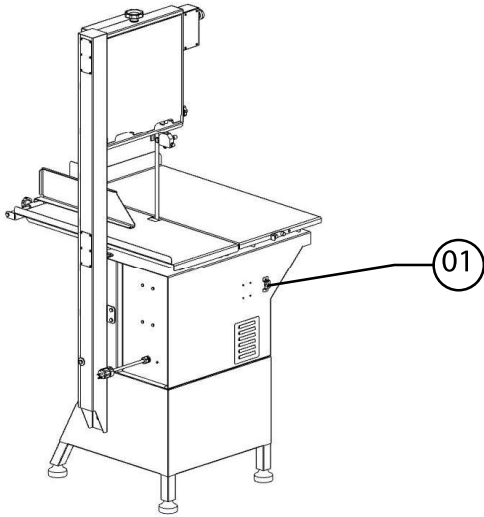
# Figure Drawings

PICTURE 01



# Figure Drawings

PICTURE 02



PICTURE 03



PICTURE 04



PICTURE 05



PICTURE 06



PICTURE 07



PICTURE 08



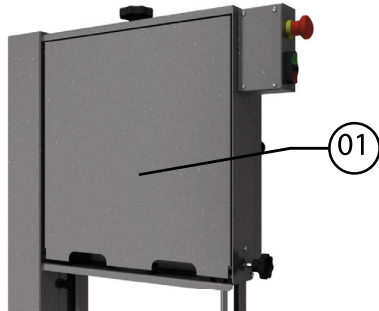
PICTURE 09



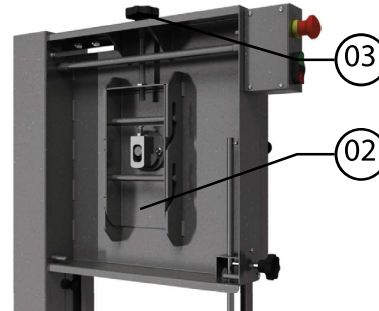
# Figure Drawings

---

PICTURE 10



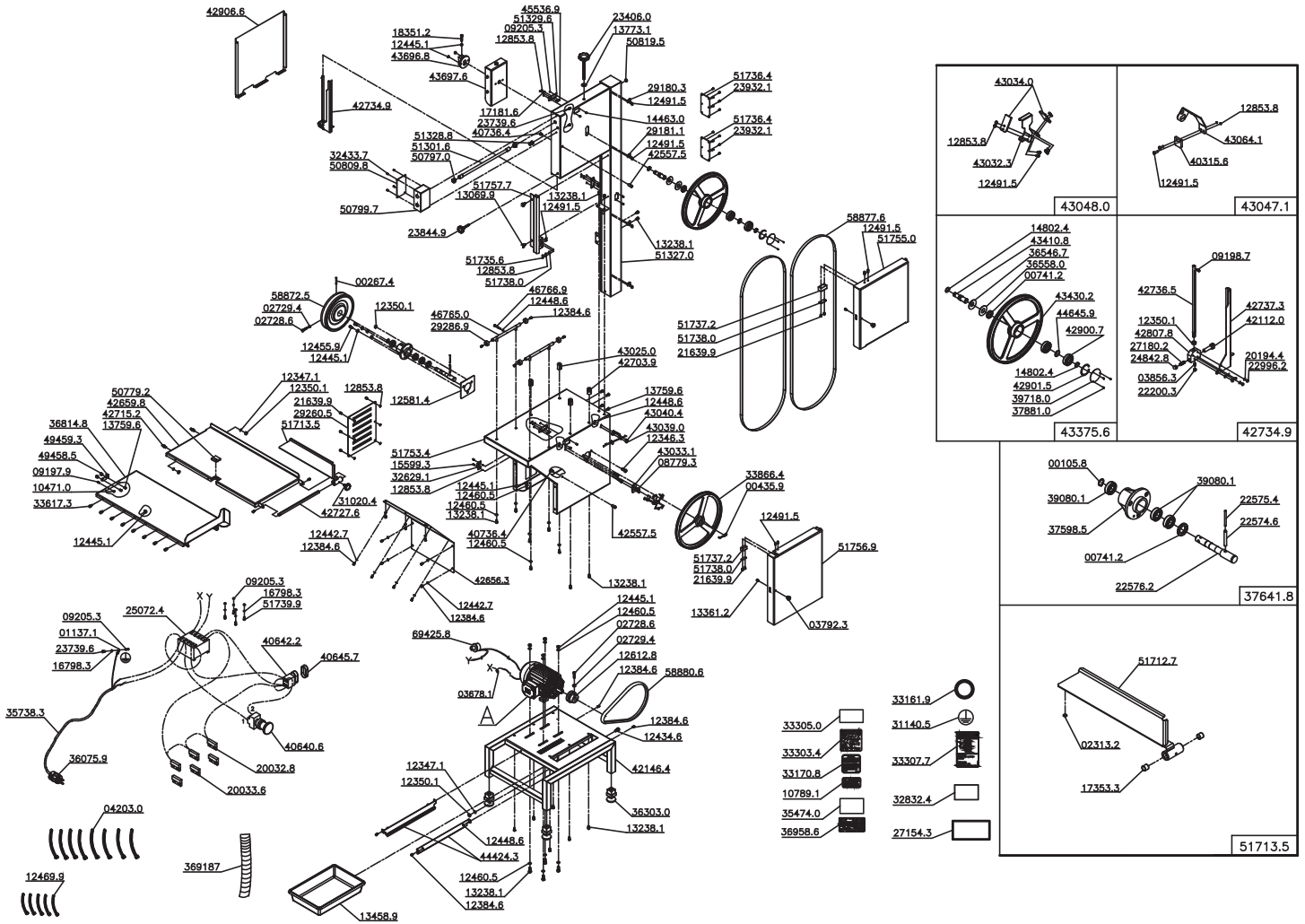
PICTURE 11





# Parts Breakdown

Model BS-BR-3150-SS 20236



# Parts Breakdown

## Model BS-BR-3150-SS 20236

Item No.	Description	Position	Item No.	Description	Position	Item No.	Description	Position
AF877	Shaft Retainer Ring 20x1.2 DIN 471 for 20236	00105.8	38282	Screw M3x10 DIN 84 Stainless Steel for 20236	12491.5	38412	PFS M4x5 DIN 7985 INOX for 20236	23932.1
21579	Central Shaft Pin 6x50 DIN1481 for 20236	00267.4	AF881	Backboard for 20236	12581.4	AF896	Nut M8 DIN 1587 DIREITA LATAO NIQUELADO for 20236	24842.8
21836	Clip for 20236	00435.9	AF882	Motor Pulley SK (Primer) for 20236	12612.8	AF897	Contactora.CWM18.10 220V 50/60Hz for 20236	25072.4
38502	Seal 01604BR for 20236	00741.2	38044	Nut M3 DIN 934 Stainless Steel for 20236	12853.8	27720	Omcans Logo (Machines) for 20236	27154.3
AE670	Term. Eyelet for 20236	01137.1	AF883	Fluted Handle M6x15mm INOX for 20236	13069.9	AF898	Screw M8x40 DIN 916 FOSF. for 20236	27180.2
38469	Cover for 20236	02313.2	38086	Screw M8x16 DIN 933 Stainless Steel for 20236	13238.1	AF899	Articulation Sheet Big for 20236	29180.3
38534	PFS M8x25 DIN 933 ZB for 20236	02728.6	16432	Screw 1/4x1/2 for 20236	13361.2	AF900	Articulation Sheet Small for 20236	29181.1
38557	Screw Nut DIN 934 ZB for 20236	02729.4	AF884	Collecting Box 522 for 20236	13458.9	AF901	Shutter 25x5x100 for 20236	29260.5
27696	Nylon Cover CN 4478 for 20236	03678.1	67029	Screw M6x10 DIN 933 Stainless Steel for 20236	13759.6	AF902	Sheave for 20236	29286.9
38464	Door Knob for 20236	03792.3	AF885	Washer.L 1/2" INOX for 20236	13773.1	AF903	Handle with Stem M8x12mm INOX for 20236	31020.4
78587	PFS M6x16 DIN 916 FOSF. for 20236	03856.3	16435	Screw M4x10 for 20236	14463.0	67038	Grounded Wire Label for 20236	31140.5
27699	Cramp T 18R Small for 20236	04203.0	AF886	Shaft Retainer Ring 25x1.2 DIN 471 for 20236	14802.4	AF904	Screw M4x8 DIN 7985 INOX for 20236	32433.7
27702	PFS M6x20 DIN 965 INOX for 20236	08779.3	AF887	Screw B.3.5x9.5 DIN 7981 INOX for 20236	15599.3	AF905	Thermal Protector Protection for 20236	32629.1
38482	Screw M5x10 DIN 84 INOX for 20236	09197.9	30048	Washer L.A4.3 for 20236	16798.3	67040	Instruction Manual Label for 20236	32832.4
AF878	Screw M4x10 DIN 912 INOX for 20236	09198.7	38045	Washer L.A3.2 DIN 125 Stainless Steel for 20236	17181.6	AF906	Thermal Protector Label Ingles for 20236	33161.9
38404	Nut M4 DIN 934 for 20236	09205.3	AF888	Bushing Dry-Met 15x17x15 1TFP015017015 RK for 20236	17353.3	AF907	Attention Ear Wire Label Ingles/Frances for 20236	33170.8
38055	Nut M5 DIN 934 Stainless Steel for 20236	10471.0	38084	Screw M8x40 DIN 933 Stainless Steel for 20236	18351.2	AF908	Attention Warning Label I/F for 20236	33303.4
AF879	Emergency Label ESP/INGL./PORT. for 20236	10789.1	AF889	Reed Switch NA Importado for 20236	20032.8	AF909	Attention 110/220/380V Certificate Label for 20236	33305.0
67026	Screw M10x30 DIN 933 Stainless Steel for 20236	12346.3	38096	Encapsulated Magnet for 20236	20033.6	AF910	Warning Label INGL./FRANC. for 20236	33307.7
38207	Washer.L.A10.5 DIN 125 Stainless Steel for 20236	12347.1	38087	Washer L.A5.3 DIN 125 INOX for 20236	20194.4	AF911	Movable Table Drag Pin for 20236	33617.3
38489	Nut M10 DIN 934 Stainless Steel for 20236	12350.1	38613	PFS M3x6 DIN 7985 INOX for 20236	21639.9	AF912	Lower Wheel (VERNIZ) for 20236	33866.4
16416	Screw M6x12 DIN 933 Stainless Steel for 20236	12384.6	AF890	Nut M6 DIN 1587 INOX for 20236	22200.3	AF913	Identification Label Motor/Resist Certific. ETL for 20236	35474.0
AF880	Screw M10x20 DIN 933 INOX for 20236	12434.6	AF891	Elastic Pin 8x60 DIN 1481 for 20236	22574.6	AE579	CB.3x2.1mm2 SJX2M CERTIF. for 20236	35738.3
16419	Washer L.A6 4 125 INOX for 20236	12442.7	AF892	Elastic Pin 5x60 DIN 1481 for 20236	22575.4	AF914	Plug Americano CERT.20A 250V (1X991) for 20236	36075.9
16421	Screw Nut M8 934 INOX for 20236	12445.1	AF893	Lower Tree SKLG for 20236	22576.2	AF915	Foot 7/8" TB.QUADR.40 APOIO Anti-Skid for 20236	36303.0
38281	Screw Nut M6 DIN934 INOX for 20236	12448.6	38593	Screw M5x6 DIN 84 Stainless Steel for 20236	22996.2	AF916	V-Ring 55xDI.24x8 for 20236	36546.7
16422	Screw M8x20 DIN 933 Stainless Steel for 20236	12455.9	AF894	Handle with Stem M12x160mm for 20236	23406.0	AF917	Upper Wheel Washer for 20236	36558.0
16423	Washer L.A8.4 Stainless Steel for 20236	12460.5	67033	Screw M4x10 DIN 933 Stainless Steel for 20236	23739.6	AF918	Movable Table Set SI-315HD CERT. for 20236	36814.8
30045	Bracer K22-LM(T-80) for 20236	12469.9	AF895	Handle with Stem M8x55mm INOX for 20236	23844.9	AF919	Spiral Protection 1/2"x600mm for 20236	36918.7

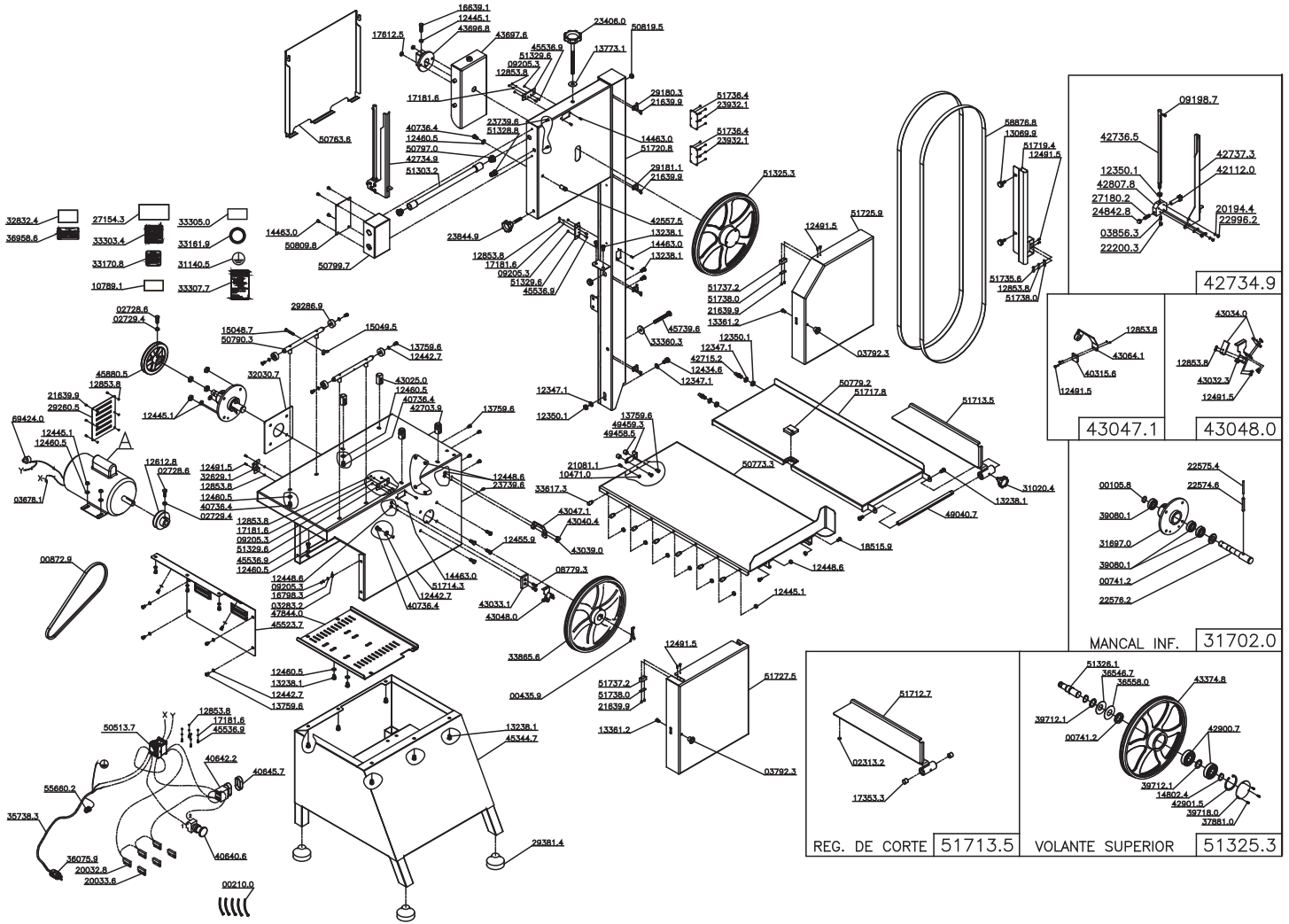
# Parts Breakdown

## Model BS-BR-3150-SS 20236

Item No.	Description	Position	Item No.	Description	Position	Item No.	Description	Position
AF920	ETIQ.ETL Listed for 20236	36958.6	AF943	Retainer Ring with Hole 62x2 DIN 472 for 20236	42901.5	AF966	Nylon Screw for 20236	50797.0
AF921	Lower Assembly (Grey) for 20236	37598.5	AF944	Closure Sheet TS for 20236	42906.6	AF967	Electric Box Set for 20236	50799.7
AF922	Complete Lower Assembly for 20236	37641.8	AF945	Stationary Table Back Support for 20236	43025.0	AF968	Electric Box Closure for 20236	50809.8
AF923	Screw M3x8 DIN 965 INOX for 20236	37881.0	AF946	Scrapper Sheet for 20236	43032.3	AF969	Wire Pass-Through GR. 19x31.8mm for 20236	50819.5
AF924	Bearing 6004 Z DIN 625 NSK/TK Di.20xD.42xL.12 for 20236	39080.1	AF947	Scrapper Guide for 20236	43033.1	AF970	Pass-Through Tube Set for 20236	51301.6
AF925	Wheels Lid for 20236	39718.0	AF948	Scrapper Blade for 20236	43034.0	AF971	Structure Set for 20236	51327.0
AF926	Wheels Scrapper Peg for 20236	40315.6	AF949	Scrapper Lock PI for 20236	43039.0	AF972	Press Cord HSK-K PG07 (C209070115) for 20236	51328.8
67042	Emergency Button 2NF (Pull to Unlock) for 20236	40640.6	AF950	Scrapper Guide Pin for 20236	43040.4	AF973	Sensor Support for 20236	51329.6
AF927	Double Button CSWBDNANFBIDL (10046334) for 20236	40642.2	AF951	Complete Wheel Scrapper for 20236	43047.1	AF974	Cut Regulator Set for 20236	51712.7
AF928	Protection APBD (10046217) for 20236	40645.7	AF952	Complete Blade Scrapper for 20236	43048.0	AF975	Complete Cut Regulator for 20236	51713.5
AF929	Screw M8x12 DIN 933 INOX for 20236	40736.4	AF953	Wheel Scrapper Sheet for 20236	43064.1	AF976	Nut M3 DIN 1587 INOX for 20236	51735.6
AF930	Blade Guide for 20236	42112.0	AF954	Complete Upper Wheel 400mm for 20236	43375.6	AF977	Column Closure for 20236	51736.4
AF931	Certified Stand Set for 20236	42146.4	AF955	Upper Wheel Shaft for 20236	43410.8	AF978	Actuators Spacer for 20236	51737.2
AF932	Door Lock Shaft for 20236	42557.5	AF956	Upper Wheel 400mm (VERNIZ) for 20236	43430.2	AF979	Actuators Washer Sheet for 20236	51738.0
AF933	Housing Closure for 20236	42656.3	AF957	Stretcher Assembly for 20236	43696.8	AF980	Screw M4x16 DIN 933 INOX for 20236	51739.9
AF934	Certified Stationary Table Set for 20236	42659.8	AF958	Stretcher Set for 20236	43697.6	AF981	Housing Set for 20236	51753.4
AF935	Stationary Table Frontal Support for 20236	42703.9	AF959	Spacer 0.5mm for 20236	44645.9	AF982	Upper Door Set 315 for 20236	51755.0
AF936	Stationary Table Lock Pin for 20236	42715.2	AF960	Motor 3CV 60Hz Single Phase W (with Ther.Protect.) for 20236	45172.0	AF983	Lower Door Set 315 for 20236	51756.9
AF937	Regulator Shaft for 20236	42727.6	AF961	Screw M3x12 DIN 7985 INOX for 20236	45536.9	AF984	Blade Protection Seet SI-315HD for 20236	51757.7
AF938	Complete Blade Guide for 20236	42734.9	AF962	Rollers Shaft Set for 20236	46765.0	AF985	Moved Pully Diam.180mm for 20236	58872.5
AF939	Stem SI-315HD CERT. for 20236	42736.5	AF963	Movable Table Stop for 20236	46766.9	AF986	L3150344DS-*Blade 3.150mm 3/4" 4DPP S	58877.6
AF940	Blade Protection Set for 20236	42737.3	67049	Stop M6 for 20236	49458.5	AF987	Belt A 34 (Goodyear) for 20236	58880.6
AF941	Blade Guide Support for 20236	42807.8	AF964	Table Lock for 20236	49459.3	AF988	Thermal Protector 14602422 for 20236	69425.8
AF942	Bearing 6305 DDU Di.25xD.62xL.17 FAG/NSK for 20236	42900.7	AF965	Table Peg for 20236	50779.2			

# Parts Breakdown

Model BS-BR-2820-SS 20237



# Parts Breakdown

## Model BS-BR-2820-SS 20237

Item No.	Description	Position	Item No.	Description	Position	Item No.	Description	Position
AF877	Shaft Retainer Ring 20x1.2 DIN 471 for 20237	00105.8	16432	Screw 1/4x1/2 for 20237	13361.2	AF899	Articulating Sheet Big for 20237	29180.3
69355	Helmet K22 (T-50R) (Half) (Comp) for 20237	00210.0	67029	Screw M6x10 DIN 933 Stainless Steel for 20237	13759.6	AF900	Articulating Sheet Small for 20237	29181.1
21836	Clip for 20237	00435.9	AF885	Washer.L 1/2" INOX for 20237	13773.1	AF901	Shutter 25x5x100 for 20237	29260.5
38502	Retainer Di.25xDe.42xL.6 (F.126) 01604BR* for 20237	00741.2	16435	Screw M4x10 for 20237	14463.0	AF902	Sheave for 20237	29286.9
AF989	Belt AX 33 (Goodyear) for 20237	00872.9	AF886	Shaft Retainer Ring 25x1.2 DIN 471 for 20237	14802.4	AF995	Rubber Feet Bor.Red.C/PFS M10x30 D.69x33x48 ALT. for 20237	29381.4
38469	Cover for 20237	02313.2	AF990	Screw M6x40 DIN 912 INOX for 20237	15048.7	AF903	Handle with Stem M8x12mm INOX for 20237	31020.4
38534	PFS M8x25 DIN 933 ZB for 20237	02728.6	AF991	Nut Borb.M6 DIN 315 INOX for 20237	15049.5	67038	Grounded Wire Label for 20237	31140.5
38557	Screw Nut DIN 934 ZB for 20237	02729.4	AF992	Screw M8x30 DIN 933 INOX for 20237	16639.1	AF996	Lower Set (Grey) for 20237	31697.0
66186	Term. Pre-Isol.AN-2434 for 20237	03283.2	30048	Washer L.A4.3 for 20237	16798.3	AF997	Complete Lower Set for 20237	31702.0
27696	Nylon Cover CN 4478 for 20237	03678.1	38045	Washer L.A3.2 DIN 125 Stainless Steel for 20237	17181.6	AF998	Set Support Sheet for 20237	32030.7
38464	Door Knob for 20237	03792.3	AF888	Bushing Dry-Met 15x17x15 1TFP015017015 RK for 20237	17353.3	AF905	Thermal Protector Protection for 20237	32629.1
78587	PFS M6x16 DIN 916 FOSF. for 20237	03856.3	AF993	Nut M8 DIN 985 ZB for 20237	17612.5	67040	Instruction Manual Label for 20237	32832.4
27702	PFS M6x20 DIN 965 INOX for 20237	08779.3	AF994	Screw M6x10 DIN 7985 INOX for 20237	18515.9	AF906	Thermal Protector Label Ingles for 20237	33161.9
AF878	Screw M4x10 DIN 912 INOX for 20237	09198.7	AF889	Reed Switch NA Importado for 20237	20032.8	AF907	Attention Ear Wire Label Ingles/Frances for 20237	33170.8
38404	Nut M4 DIN 934 for 20237	09205.3	38096	Encapsulated Magnet for 20237	20033.6	AF908	Attention Warning Label I/F for 20237	33303.4
38055	Nut M5 DIN 934 Stainless Steel for 20237	10471.0	38087	Washer L.A5.3 DIN 125 INOX for 20237	20194.4	AF909	Attention 110/220/380V Certificate Label for 20237	33305.0
AF879	Emergency Label ESP./INGL./PORT. for 20237	10789.1	27711	Screw M5x10 DIN 933 Stainless Steel for 20237	21081.1	AF910	Warning Label INGL./FRANC. for 20237	33307.7
38207	Washer.L.A10.5 DIN 125 Stainless Steel for 20237	12347.1	38613	PFS M3x6 DIN 7985 INOX for 20237	21639.9	AF999	Washer Diam.30xDiam.8.5 for 20237	33360.3
38489	Nut M10 DIN 934 Stainless Steel for 20237	12350.1	AF890	Nut M6 DIN 1587 INOX for 20237	22200.3	AF911	Moveable Table Drag Pin for 20237	33617.3
AF880	Screw M10x20 DIN 933 INOX for 20237	12434.6	AF891	Elastic Pin.8x60 DIN 1481 for 20237	22574.6	AG000	Wheel INF.350 (VERNIZ) for 20237	33865.6
16419	Washer L.A6 4 125 INOX for 20237	12442.7	AF892	Elastic Pin.5x60 DIN 1481 for 20237	22575.4	AE579	CB.3x2.1mm2 SJX2M Certif. for 20237	35738.3
16421	Screw Nut M8 934 INOX for 20237	12445.1	AF893	Lower Tree SKLG for 20237	22576.2	AF914	Plug Americano Cert.20A 250V (1x991) for 20237	36075.9
38281	Screw Nut M6 DIN934 INOX for 20237	12448.6	38593	Screw M5x6 DIN 84 Stainless Steel for 20237	22996.2	AF916	V-Ring 55xDI.24x8 for 20237	36546.7
16422	Screw M8x20 DIN 933 Stainless Steel for 20237	12455.9	AF894	Handle with Hoop M12x160mm for 20237	23406.0	AF917	Upper Wheel Washer for 20237	36558.0
16423	Washer L.A8.4 Stainless Steel for 20237	12460.5	67033	Screw M4x10 DIN 933 Stainless Steel for 20237	23739.6	AF920	Etiq.ETL Listed for 20237	36958.6
38282	Screw M3x10 DIN 84 Stainless Steel for 20237	12491.5	AF895	Handle with Hoop M8x55mm INOX for 20237	23844.9	AF923	Screw M3x8 DIN 965 INOX for 20237	37881.0
AF882	Moving Pulley SK (Primer) for 20237	12612.8	38412	PFS M4x5 DIN 7985 INOX for 20237	23932.1	AF924	Bearing 6004 Z DIN 625 NSK/TK Di.20xDe.42xL.12 for 20237	39080.1
38044	Nut M3 DIN 934 Stainless Steel for 20237	12853.8	AF896	Nut M8 DIN 1587 DIREITA LATAO NIQUELADO for 20237	24842.8	AG001	Spacer 3.0mm for 20237	39712.1
AF883	Fluted Handle M6x15mm INOX for 20237	13069.9	27720	Omcan Logo (Machines) for 20237	27154.3	AF925	Wheels Lid for 20237	39718.0
38086	Screw M8x16 DIN 933 Stainless Steel for 20237	13238.1	AF898	Screw M8x40 DIN 916 FOSF. for 20237	27180.2	AF926	Wheel Scrapper Peg for 20237	40315.6

# Parts Breakdown

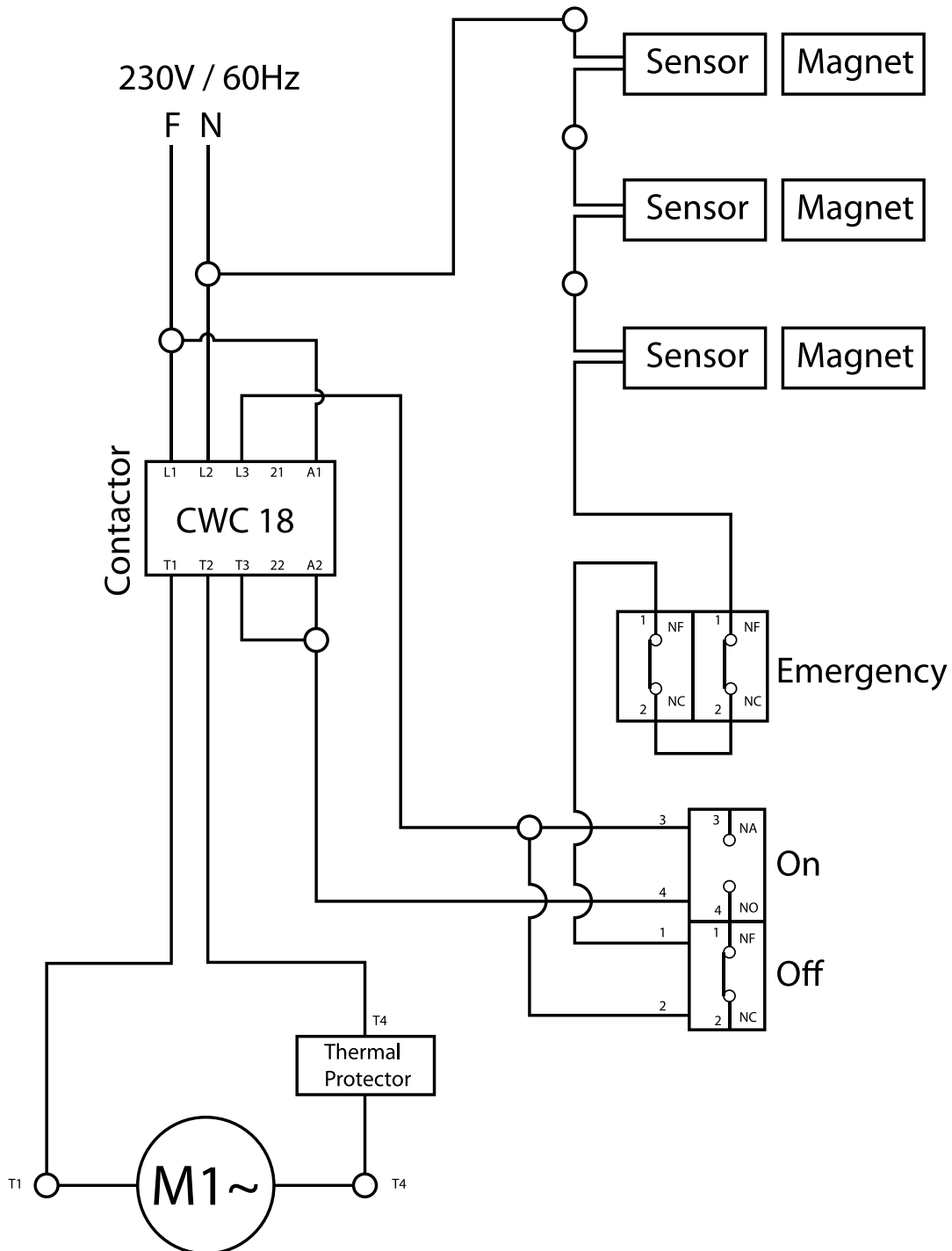
## Model BS-BR-2820-SS 20237

Item No.	Description	Position	Item No.	Description	Position	Item No.	Description	Position
67042	Emergency Button 2NF (Pull to Unlock) for 20237	40640.6	AF953	Wheel Scrapper Sheet for 20237	43064.1	AF969	Wire Pass-Through GR. 19x31.8mm for 20237	50819.5
AF927	Double Button CSWBDNANFBIDL (10046334) for 20237	40642.2	AG002	Upper Wheel 350mm (VERNIZ) for 20237	43374.8	AG014	Pass-Through Tube Set for 20237	51303.2
AF928	Protection APBD (10046217) for 20237	40645.7	AF957	Stretcher Assembly for 20237	43696.8	AG015	Complete Upper Wheel 350mm for 20237	51325.3
AF929	Screw M8x12 DIN 933 INOX for 20237	40736.4	AF958	Stretcher Set for 20237	43697.6	AG016	Upper Wheel Shaft for 20237	51326.1
AF930	Blade Guide for 20237	42112.0	AG003	Motor 2CV 60Hz W (C/Protetor Termico) for 20237	45170.3	AF972	Press Cord HSK-K PG07 (C209070115) for 20237	51328.8
AF932	Door Lock Shaft for 20237	42557.5	AG004	Base Set for 20237	45344.7	AF973	Sensor Support for 20237	51329.6
AF935	Stationary Table Frontal Support for 20237	42703.9	AG005	Housing Closure for 20237	45523.7	AF974	Cut Regulator Set for 20237	51712.7
AF936	Stationary Table Lock Pin for 20237	42715.2	AF961	Screw M3x12 DIN 7985 INOX for 20237	45536.9	AF975	Complete Cut Regulator for 20237	51713.5
AF938	Complete Blade Guide for 20237	42734.9	AG006	Screw M8x135 DIN 933 INOX for 20237	45739.6	AG017	Housing Set for 20237	51714.3
AF939	Stem SI-315HD Cert. for 20237	42736.5	AG007	Moved Pulley (Lavada) for 20237	45880.5	AG018	Stationary Table Set for 20237	51717.8
AF940	Blade Protection Set for 20237	42737.3	AG008	Motor Support (Grey) for 20237	47844.0	AG019	Blade Protection Set SI-282HDE for 20237	51719.4
AF941	Blade Guide Support for 20237	42807.8	AG009	Cut Regulator Shaft for 20237	49040.7	AG020	Structure Set for 20237	51720.8
AF942	Bearing 6305 DDU Di.25xDe.62xL.17 FAG/NSK for 20237	42900.7	67049	Stop M6 for 20237	49458.5	AG021	Upper Door Set for 20237	51725.9
AF943	Retainer Ring with Hole 62x2 DIN 472 for 20237	42901.5	AF964	Table Lock for 20237	49459.3	AG022	Lower Door Set for 20237	51727.5
AF945	Stationary Table Back Support for 20237	43025.0	AG010	Mini Cont.CWC016-01-30x26 220V 60Hz for 20237	50513.7	AF976	Nut M3 DIN 1587 INOX for 20237	51735.6
AF946	Scrapper Sheet for 20237	43032.3	AG011	Closure Sheet for 20237	50763.6	AF977	Column Closure for 20237	51736.4
AF947	Scrapper Guide for 20237	43033.1	AG012	Movable Table Set SI-282HD for 20237	50773.3	AF978	Actuator Spacer for 20237	51737.2
AF948	Scrapper Blade for 20237	43034.0	AF965	Table Peg for 20237	50779.2	AF979	Actuator Washer Sheet for 20237	51738.0
AF949	Scrapper Lock PI for 20237	43039.0	AG013	Rollers Shaft Set for 20237	50790.3	AG023	Cord Press PG13.5 HSK-K Complete for 20237	55660.2
AF950	Scrapper Guide Pin for 20237	43040.4	AF966	Nylon Screw for 20237	50797.0	AG024	L2820344DS-*Blade 2.820mm 3/4" 4DPP S for 20237	58876.8
AF951	Complete Wheel Scrapper for 20237	43047.1	AF967	Electric Box Set for 20237	50799.7	AG025	Thermal Protector 12561307 for 20237	69424.0
AF952	Complete Blade Scrapper for 20237	43048.0	AF968	Electric Box Closure for 20237	50809.8			

# Electrical Schematics

**Model BS-BR-3150-SS** 20236

**Model BS-BR-2820-SS** 20237













# Warranty Registration

Thank you for purchasing an Omcan product. To register your warranty for this product, complete the information below, tear off the card at the perforation and then send to the address specified below. You can also register online by visiting:

Merci d'avoir acheté un produit Omcan. Pour enregistrer votre garantie pour ce produit, complétez les informations ci-dessous, détachez la carte au niveau de la perforation, puis l'envoyer à l'adresse spécifiée ci-dessous. Vous pouvez également vous inscrire en ligne en visitant:

Gracias por comprar un producto Omcan usted. Para registrar su garantía para este producto, complete la información a continuación, cortar la tarjeta en la perforación y luego enviarlo a la dirección indicada a continuación. También puede registrarse en línea en:

<https://omcan.com/warranty-registration/>

For mailing in Canada

Pour postale au Canada

Por correo en Canadá

**OMCAN**

PRODUCT WARRANTY REGISTRATION

3115 Pepper Mill Court,

Mississauga, Ontario

Canada, L5L 4X5

For mailing in the US

Pour diffusion aux États-Unis

Por correo en los EE.UU.

**OMCAN**

PRODUCT WARRANTY REGISTRATION

4450 Witmer Industrial Estates, Unit 4,

Niagara Falls, New York

USA, 14305

*or email to: [service@omcan.com](mailto:service@omcan.com)*



Purchaser's Information

Name: \_\_\_\_\_

Address: \_\_\_\_\_

City: \_\_\_\_\_ Province or State: \_\_\_\_\_ Postal or Zip: \_\_\_\_\_

Country: \_\_\_\_\_

Dealer from which Purchased: \_\_\_\_\_

Dealer City: \_\_\_\_\_ Dealer Province or State: \_\_\_\_\_

Invoice: \_\_\_\_\_

Model Name: \_\_\_\_\_ Model Number: \_\_\_\_\_

Machine Description: \_\_\_\_\_

Date of Purchase (MM/DD/YYYY): \_\_\_\_\_

Would you like to extend the warranty?  Yes  No

Company Name: \_\_\_\_\_

Telephone: \_\_\_\_\_

Email Address: \_\_\_\_\_

Type of Company:

Restaurant  Bakery  Deli

Butcher  Supermarket  Caterer

Institution (specify): \_\_\_\_\_

Other (specify): \_\_\_\_\_

Serial Number: \_\_\_\_\_

Date of Installation (MM/DD/YYYY): \_\_\_\_\_

**Thank you for choosing Omcan | Merci d'avoir choisi Omcan | Gracias por elegir Omcan**



Since 1951 Omcan has grown to become a leading distributor of equipment and supplies to the North American food service industry. Our success over these many years can be attributed to our commitment to strengthen and develop new and existing relationships with our valued customers and manufacturers. Today with partners in North America, Europe, Asia and South America, we continually work to improve and grow the company. We strive to offer customers exceptional value through our qualified local sales and service representatives who provide convenient access to over 5,000 globally sourced products.

---

Depuis 1951 Omcan a grandi pour devenir un des “leaders” de la distribution des équipements et matériel pour l’industrie des services alimentaires en Amérique du Nord. Notre succès au cours de ces nombreuses années peut être attribué à notre engagement à renforcer et à développer de nouvelles et existantes relations avec nos clients et les fabricants de valeur. Aujourd’hui avec des partenaires en Amérique du Nord, Europe, Asie et Amérique du Sud, nous travaillons continuellement à améliorer et développer l’entreprise. Nous nous efforçons d’offrir à nos clients une valeur exceptionnelle grâce à nos ventes locales qualifiées et des représentants de service qui offrent un accès facile à plus de 5000 produits provenant du monde entier.

---

Desde 1951 Omcan ha crecido hasta convertirse en un líder en la distribución de equipos y suministros de alimentos en América del Norte industria de servicios. Nuestro éxito en estos años se puede atribuir a nuestro compromiso de fortalecer y desarrollar nuevas relaciones existentes con nuestros valiosos clientes y fabricantes. Hoy con socios de América del Norte, Europa, Asia y América del Sur, que trabajan continuamente para mejorar y crecer la empresa. Nos esforzamos por ofrecer a nuestros clientes valor excepcional a través de nuestro local de ventas y representantes de los servicios que proporcionan un fácil acceso a más de 5,000 productos con origen a nivel mundial.

